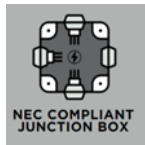
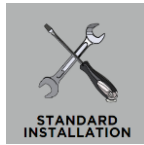


ONE LIGHT OUTDOOR WALL LANTERNS

8304801-714; 8304701EN3-714

General Product Information



Suggested/Required Tools



Safety Information

CAUTION-RISK OF FIRE

This product must be installed in accordance with the applicable installation code by a person familiar with the construction and operation of the product and the hazards involved.

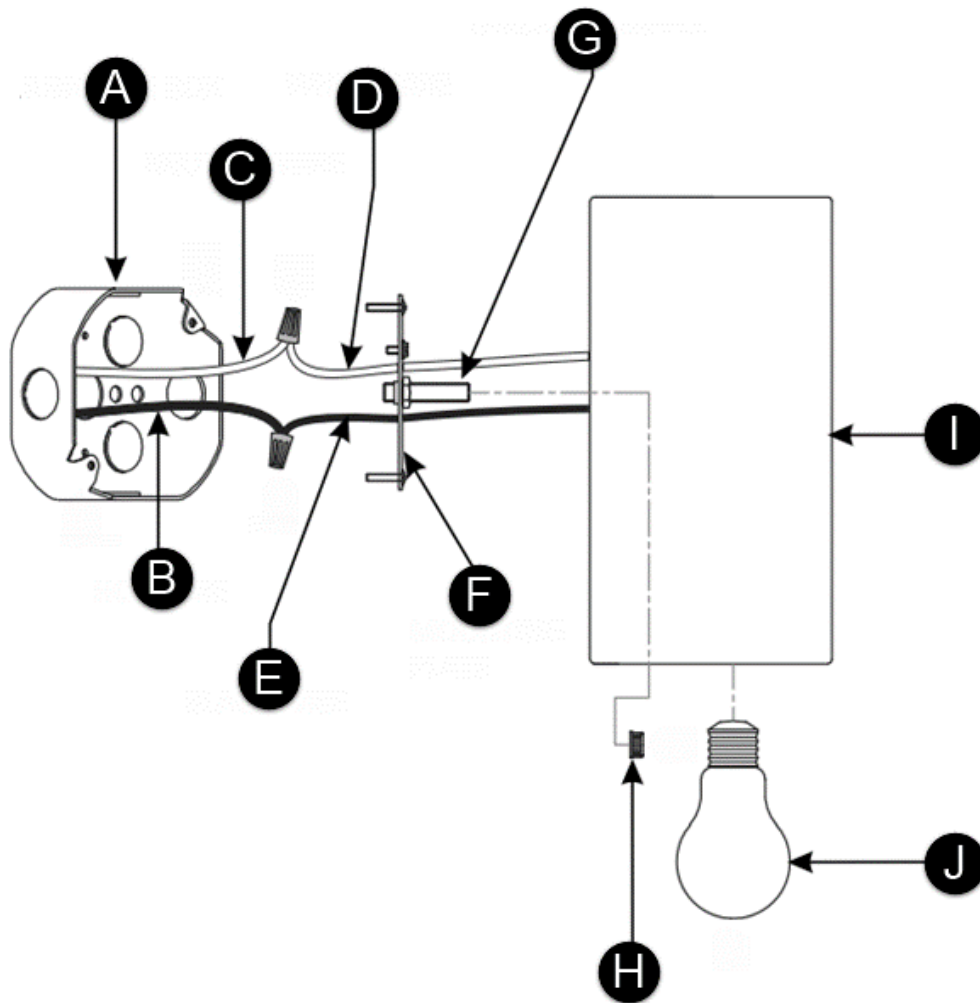
USE MINIMUM 90°C SUPPLY CONDUCTORS.



Turn off electrical current at the source before working with any lighting fixture or portable lamp.

Install and use this product in adherence with local electrical codes and regulations.





FIXTURE PARTS

- A. Junction box
- B. Hot Wire
- C. Neutral Wire
- D. White Fixture Wire
- E. Black Fixture Wire
- F. Mounting Plate with Mounting Screws
- G. Threaded Nipple
- H. Cap Nut
- I. Fixture
- J. Bulb (Not Included)

INSTRUCTIONS

I. Preparing the Fixture

1. Separate the mounting plate from the fixture base by removing the fixture screws.
2. Install the mounting plate to the junction box and secure it using mounting screws.

II. Wiring the Fixture

1. Safety first! Locate the circuit breaker and switch it off to cut off the power supply to the relevant circuits to ensure there's no electricity running through the wiring.
2. In accordance with local electrical codes, connect the fixture ground wire (bare copper or silver wire) to suitable ground. This may be a green ground screw on the mounting plate, which the ground wire should be tightly wrapped around or a house wire (green or bare copper wire without insulation).
3. Twist the bare ends of the following pairs of wires together using a wire nut to secure a connection:
 - a) Hot fixture wire (black) and hot power line wire from the junction box (hot to hot)
 - b) Neutral fixture wire (white) and neutral power line wire from the junction box (neutral to neutral)
4. Carefully tuck all the wires behind the mounting plate into the junction box.

III. Installing the Fixture

1. Place the fixture onto the threaded nipple and secure it in place by screwing the cap nut onto the nipple from the inside of the fixture.
2. Screw the bulb into the socket, referring to the label on the socket for Max Wattage information.
3. For wet locations, caulk around the base of the fixture with waterproof construction sealant.